

# **PARTS CATALOG**

## **FL Cassette-AC1**

**Canon**

**Oct 12 2005**



## **PREFACE**

This Parts Catalog contains listings of parts used

Diagrams are provided with the listings to aid the service technician in identifying clearly, the item to be ordered.

Whenever ordering parts, consult this Parts Catalog for all of the information pertaining to each item. Be sure to include, in the Parts Request, the full item description, the item part number, and the quantity.

***COPYRIGHT (C) 1999 CANON INC.***

Use of this manual should be strictly supervised to avoid disclosure of confidential information.



# Contents

## NUMERICAL INDEX

FL Cassette-AC1 .....1-1

## FL Cassette-AC1

R30 CASSETTE .....2-1



# NUMERICAL INDEX

## FL Cassette-AC1

PARTS NUMBER	FIGURE & KEY NO.	PARTS NUMBER	FIGURE & KEY NO.	PARTS NUMBER	FIGURE & KEY NO
FB4-5808-020	R30 - 16				
FB4-5809-020	R30 - 9				
FB4-5810-000	R30 - 12				
FB4-5813-020	R30 - 10				
FB4-5814-000	R30 - 2				
FB4-5824-000	R30 - 18				
FB6-1640-000	R30 - 3				
FB6-1644-000	R30 - 4				
FB6-1646-000	R30 - 13				
FB6-1649-000	R30 - 14				
FB6-1650-000	R30 - 7				
FB6-2000-000	R30 - 5				
FC6-4337-000	R30 - 6				
FC6-4361-000	R30 - 1				
FM2-3325-000	R30 - 8				
FM2-3326-000	R30 - 15				
FS6-2917-000	R30 - 19				
FS7-0207-000	R30 - 20				
FU5-8584-000	R30 - 17				
FU5-8587-000	R30 - 24				
FU5-8588-000	R30 - 11				
FU5-8600-000	R30 - 21				
FU5-8601-000	R30 - 22				
FU5-8609-000	R30 - 23				
NPN	R30 -				
XB4-7401-009	R30 - 501				





# FL Cassette-AC1

Cassette-AC1

F38-0321-000



# Contents

R30 CASSETTE .....	2-1
--------------------	-----



# FIGURE R30 CASSETTE

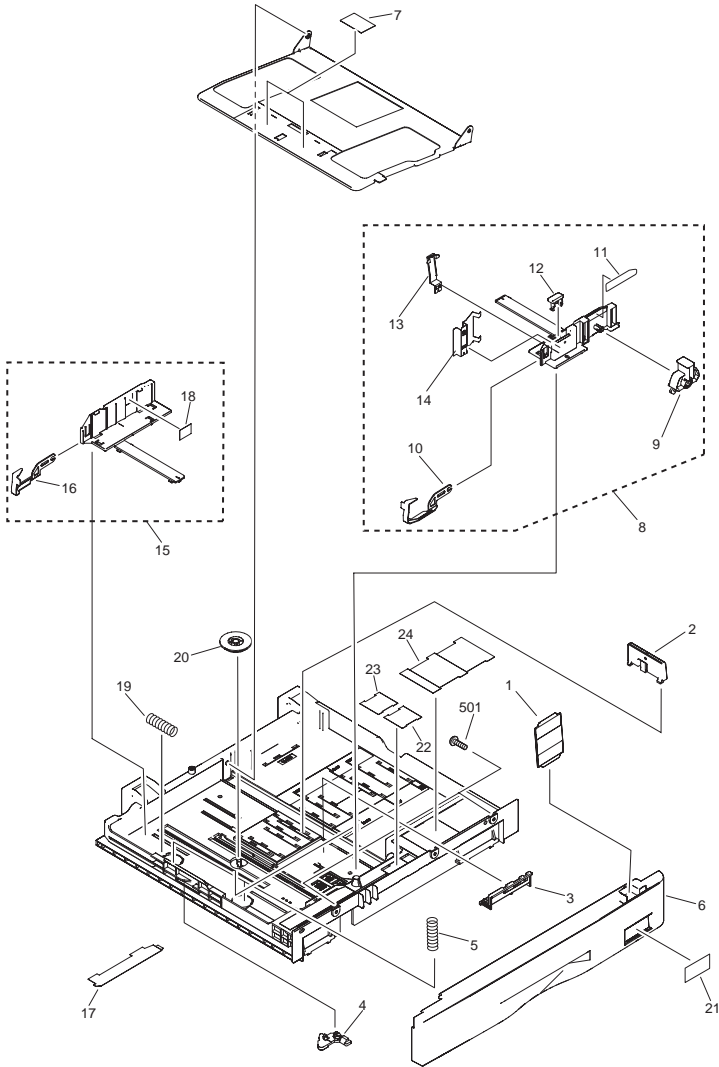


FIGURE & KEY NO.	PARTS NUMBER	R A N K	Q'TY	DESCRIPTION	SERIAL NUMBER/ REMARKS	S V C
Fig.R30	NPN		RF	CASSETTE		
1	FC6-4361-000		1	PLATE, SIZE INDICATOR		
2	FB4-5814-000		1	PLATE, SIZE, REAR		
3	FB6-1640-000		1	LEVER, PAPER SIZE		
4	FB6-1644-000		1	LOCK, PAPER LIFTING PLATE		
5	FB6-2000-000		2	SPRING, COMPRESSION		
6	FC6-4337-000		1	COVER, CASSETTE		
7	FB6-1650-000		2	SHEET, SEPARATION		
8	FM2-3325-000		1	PAPER SIDE GUIDE(F) UNIT		
9	FB4-5809-020		1	LEVER, LOCK		
10	FB4-5813-020		1	PLATE, HOLD-DOWN TAB		
11	FU5-8588-000		1	LABEL, SIDE LOCK		
12	FB4-5810-000		1	PLATE, PAPER CONTACT		
13	FB6-1646-000		1	SPRING, LEAF		
14	FB6-1649-000		1	SPRING, LEAF		
15	FM2-3326-000		1	PAPER SIDE GUIDE(R) UNIT		
16	FB4-5808-020		1	PLATE, HOLD-DOWN TAB		
17	FU5-8584-000		1	SHEET, PAPER SIZE SETTING		
18	FB4-5824-000		1	LABEL		
19	FS6-2917-000		1	SPRING, TENSION		
20	FS7-0207-000		1	GEAR, 20T		
21	FU5-8600-000		1	LABEL, PAPER SIZE		
22	FU5-8601-000		1	LABEL, 'WARNING'		
23	FU5-8609-000		1	LABEL, 'WARNING'		
24	FU5-8587-000		1	SHEET, PAPER SUPPLY		
501	XB4-7401-009		2	SCREW, TAPPING, PAN HEAD, M4X10		

Prepared by  
OIP HFE Promotion Center  
CANON INC.

**Canon**